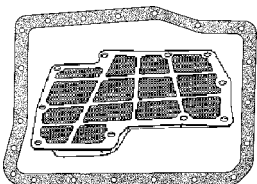
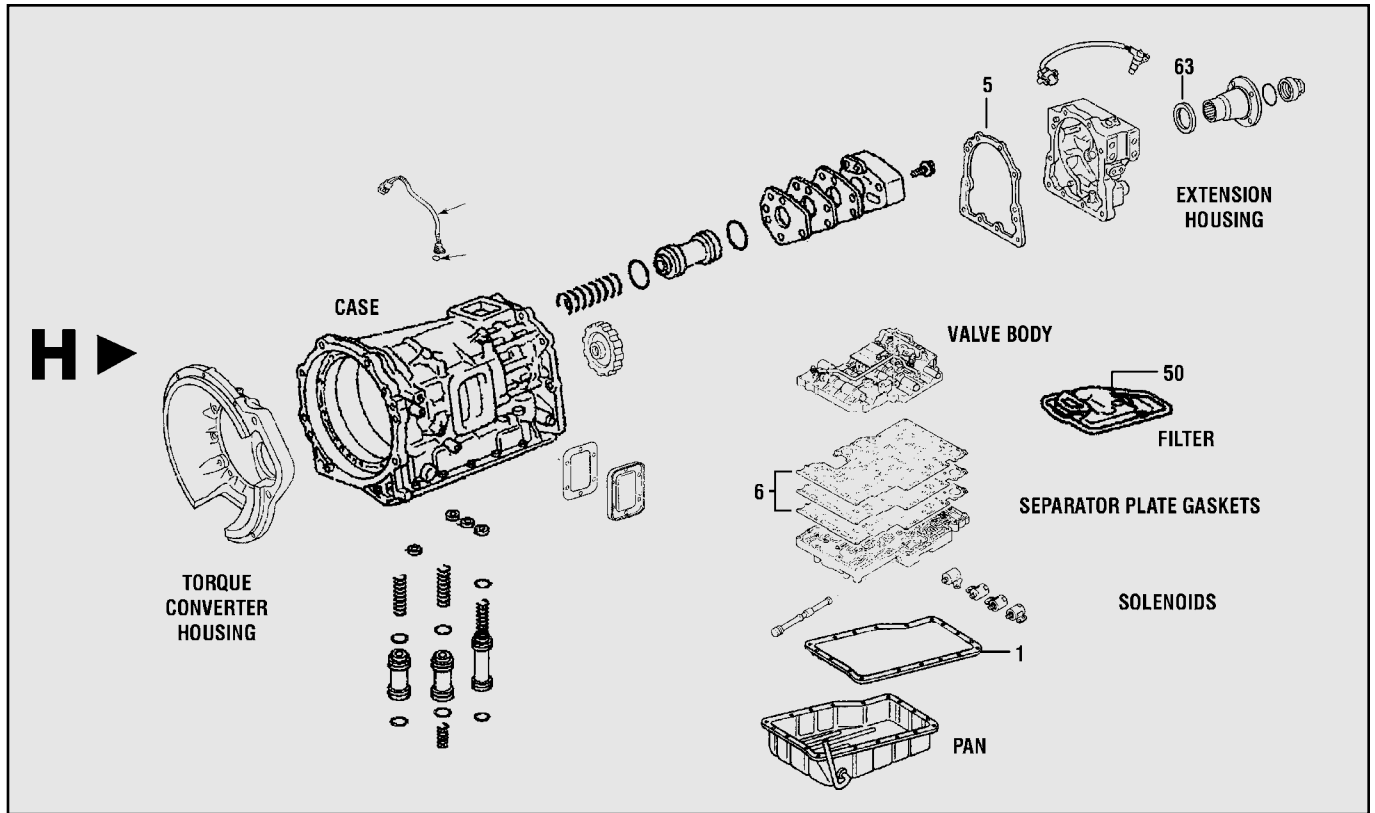
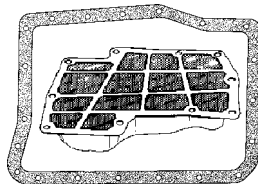


**RWD - 4 SPEED
w/OVERDRIVE**

**TOYOTA A440F, A442F, LANDCRUISER
AISIN WARNER 450-43LE TRUCK**



**20 Bolt Pan
Shallow Pan Filter (5/8" Thick)
FK59800**

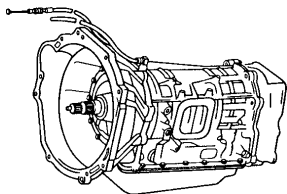


**20 Bolt Pan
Deep Pan Filter (2" Thick)
FK59800A**

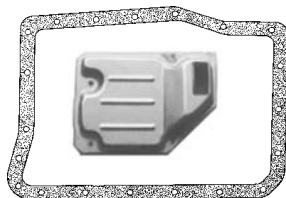
Toyota Landcruiser & Samurai 85-95
The A440F is a 4 Speed, Rear Drive, Automatic, Overdrive Transmission - Transmission TAG-HJ60
95-Up Refer To A340 Series Section



**Filter Kit
450-43LE
98-Up
FK59800D**



Rear Wheel Drive



**A442F
93-95
FK59800B**

AW450-43LE is a replacement for the JR403E truck transmission and is similar to Toyota A442F.

A440F/450-43LE

REBUILDER KITS

DESCRIPTION	QTY.	YEAR	DELUXE KIT	MASTER O/H KIT	LESS STEELS KIT	OVERHAUL KIT	GASKET & SEAL KIT
Rebuilder Kits - A440F	1	85-92		K5900	K5900-LS	K59900	
Rebuilder Kits - A442F	1	93-95		K5900A	K5900A-LS	K59900	
Rebuilder Kits - Transfer Case	1	85-90				K59900T	
Rebuilder Kits - 450-43LE	1	98-Up		K5900D	K5900D-LS	K59900D	

ILL.	DESCRIPTION	QTY.	YEAR	PART NO.	REFERENCE NO.
MISCELLANEOUS GASKETS & SEALS/PAN GASKETS					
1H	Gasket - Oil Pan - Cork & Neoprene	1	85-Up	13880X	35168-36010
2A	O-Ring - Pump	1	85-Up	13878	90301-99029
3A	Gasket - Pump	1	85-Up	13879	35313-36010
5H	Gasket - Extension Housing: 450-43LE	1	98-Up	13881	97256870
6H	Gasket Package - Valve Body: 450-43LE	1	98-Up	K13698B	N.L.
N.I.	Gasket - Transfer Case - A440/2	1	85-95	13881	35182-36010
N.I.	Gasket - Filter - A440	1	85-92	13882	35339-36010
N.I.	Gasket - Filter - A442	1	93-95	13882A	N.L.
N.I.	Gasket - Filter: 450-43LE	1	98-Up	13882B	N.L.
CLUTCH PLATES					
Order Frictions with 'B' prefix for Borg Warner brand, 'R' prefix for Raybestos brand.					
Friction:					
N.I.	- Overdrive Direct - 2.1mm - 46T - 440/2	3	85-95	59100	35633-36020
N.I.	- Overdrive Direct - 2.1mm - 47T - 450LE-43LE	3	98-Up	59100B	97257043
12B	- Overdrive Brake - 2.1mm - 70T - 440	3	85-92	59101	35633-36010
	- Overdrive Brake - 2.1mm - 75T - 442	3	93-95	59101A	35633-36050
	- Overdrive Brake - 2.1mm - 20T - 450LE-43LE	3	98-Up	59101C	97257023
14C	- Forward - Front - 2.1mm - 46T - All	6	85-Up	59100	35633-36020
	- Forward - Front - 1.8mm -46T	5	85-Up	59100C	97256973
16D	- Direct - Rear - 2.1mm - 46T - All	5	85-Up	59100	35633-36020
	- Direct - Rear - 1.8mm -46T	5	85-Up	59100C	97256973
18E	- Intermediate Brake - 2.1mm -70T - All	4/5	85-Up	59101	35633-36010
20G	- 1st & Reverse - 1.7mm - 70T - All	6	85-Up	59102	35633-36030
Steel:					
N.I.	- Overdrive Direct - 1.8mm - 10T - 440/2	3	85-95	59104	35634-36010
	- Overdrive Direct - 2.0mm - 20T - 450-43LE	3	98-Up	59104E	97246969
13B	- Overdrive Brake - 2.4mm - 6T - Small I.D. 440	3	85-92	59105	35632-36010
	- Overdrive Brake - 2.4mm - 6T - Large I.D. - 442/450	2	93-Up	59105A	35632-60010
	- Overdrive Brake - 4.0mm - 6T - Large I.D. - 442	1	93-Up	59105B	35662-60020
15C	- Forward -Front - 1.8mm - 10T - All	6/7	85-Up	59104	35634-36010
	- Forward - Front - 2.4mm - 10T - 450-43LE	1	98-Up	59104C	97256972
17D	- Direct - Rear - 1.8mm - 10T - 440/2	5	85-95	59104	35634-36010
	- Direct - Rear -2.4mm - 10T - 450-43LE	5	98-Up	59104C	97256972
19E	- Intermediate Brake - 2.4mm - 440/2	4	85-95	59105	35632-36010
	- Intermediate Brake - 2.0mm - 440/2	4	85-95	59105C	35632-60040
	- Intermediate Brake - 2.8mm - 6T - 450-43LE	5	98-Up	59105E	97256939
21G	- Low/Reverse - 1.8mm - 440	6	85-92	59106	35632-36020
	- Low/Reverse - 2.4mm - 442	6	93-95	59106A	35632-60030
	- Low/Reverse - 2.8mm -16T - 450-43LE	6	98-Up	59106B	97256951
FILTERS/FILTER KITS					
N.I.	Filter Kit - w/Shallow Pan - A440F	1	85-95	FK59800	N.L.
N.I.	Filter Kit - w/Deep Pan - A440F	1	85-95	FK59800A	N.L.
N.I.	Filter Kit - A442F	1	93-95	FK59800B	N.L.
N.I.	Filter Kit - 450-43LE	1	98-Up	FK59800D	N.L.
50H	Filter:				
	- Shallow - 5/8" - A440F	1	85-92	59800	N.L.
	- Deep - 2" - A440F	1	85-92	59800A	35303-60010
	- A442F	1	93-95	59800B	35330-60010
	- 450-43LE	1	98-Up	59800D	97202067

**RWD - 4 SPEED
w/OVERDRIVE**

**TOYOTA A440F, A442F, LANDCRUISER
AISIN WARNER 450-43LE TRUCK**

ILL.	DESCRIPTION	QTY.	YEAR	PART NO.	REFERENCE NO.
METAL CLAD SEALS					
60A	Front Pump - Rubber Clad - All	1	85-95	45200A	90311-42010
	Front Pump - Metal - All	1	85-Up	59200B	97218280
63H	Extension Housing - 450-43LE	1	98-Up	59201B	97202071
N.I.	Manual Lever	2	85-95	50203	90311-12002
N.I.	Speedometer - 440/2	1	85-95	46203	90310-09001
N.I.	Adapter Housing - 440/2	1	90-Up	59205	90311-48016

BUSHINGS					
N.I.	Bushing Kit - A440F/450-43LE	1	85-95	K59901	N.L.
N.I.	Pump - All	1	85-Up	59001	N.L.

SEALING RINGS/RING KITS					
N.I.	Ring Kit - Complete	1	85-Up	K59903	N.L.
N.I.	Ring Kit - Complete - 450-43LE	1	98-Up	K59903B	N.L.

HARD PARTS

Hard Parts may only require the base number for OEM/Aftermarket New. A "N" suffix may also be required or a "-R" suffix for remanufactured. Exceptions are listed individually.

NOTE: A separate column is provided to indicate a primary or specific brand/type.

ILL.	DESCRIPTION	BRAND	QTY.	YEAR	PART NO.	REFERENCE NO
A440F/442F:						
83A	Sprag - Overdrive Clutch		1	85-95	59940	35791-36010
93F	Sprag - Low Clutch		1	85-95	59960	35790-36010
N.I.	Forward Cushion Plate		1	85-95	59964	35672-36010
N.I.	Low & Reverse Cushion Plate		1	85-95	59965	35671-3601
450-43LE:						
80A	Pump Complete		1	98-Up	59920A	N.L.
82A	Drum - O.D. Direct		1	98-Up	59922A	N.L.
83A	Sprag - Overdrive Clutch		1	98-Up	59940	35791-36010
85A	Planet - O.D.		1	98-Up	59922A	N.L.
86A	Ring Gear - O.D.		1	98-Up	59926A	N.L.
88C	Drum - Forward		1	98-Up	59930A	N.L.
90D	Drum - Direct		1	98-Up	59935A	N.L.
92F	Sun Gear - Front		1	98-Up	59950A	N.L.
93F	Sprag - Low Clutch		1	98-Up	59960	35790-36010
94F	Planet - Front		1	98-Up	59952A	N.L.
95F	Ring Gear - Front		1	98-Up	59954A	N.L.
96F	Planet - Rear		1	98-Up	59970A	N.L.
97F	Sun Gear - Rear		1	98-Up	59972A	N.L.
98F	Ring Gear - Rear		1	98-Up	59974A	N.L.

ELECTRICAL						
N.I.	Solenoid Group - 450-43LE		1	98-Up	31A-405	N.L.
N.I.	Solenoids:					
	- 90° Bracket		2	98-Up	5A-402	97202072
	- 45° Bracket		1	98-Up	5A-403	97202073
	- 2 Hole Bracket		1	98-Up	5A-404	97202074
	- EPC		1	98-Up	5A-405	97257141

A440F/450-43LE